

Order template for special orders for stair nosings



Stair nosing standard dimensions:

T 60 mm x R 60 mm

(Parquet Plank 1-Strip, Parquet Longstrip, Parquet Scala, Strip Parquet Maxim, Laminate, Disano)

T 58 mm X R 58 mm

(Strip Parquet Prestige, Parquet Toscana)

Stair nosing standard length:

Parquet Plank 1-Strip, Parquet Longstrip, Strip

Parquet Maxim: 218 cm

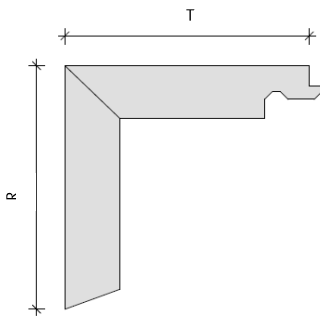
Strip Parquet Prestige, Toscana: 98 cm

Parquet Scala: 173 cm

Disano: 200 cm

Laminate: 126 cm

Variant 1 – Stair nosing in standard design



Standard dimensions

Special order: Dimension T = _____ mm

Dimension R = _____ mm

Standard length

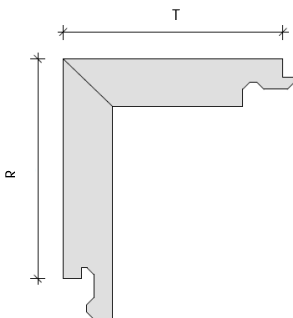
Special length: _____ cm

(N.B.: the complete standard length has to be charged and paid for in case of a special length!)

Quantity: _____ pcs

Material no. of floor: _____

Variant 2 – Stair nosing with connection on both sides



Standard dimensions

Special order: Dimension T = _____ mm

Dimension R = _____ mm

Standard length

Special length: _____ cm

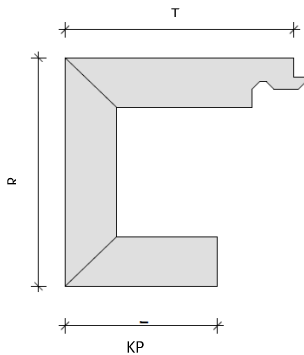
(N.B.: the complete standard length has to be charged and paid for in case of a special length!)

Quantity: _____ pcs

Material no. of floor: _____

Order template for special orders for stair nosings

Variant 3 – Stair nosing with kick plate (except for laminate stair nosing)



Standard dimensions (T 60 mm; R 40 mm, KP 20 mm)

Special order: Dimension T = _____ mm

Dimension R = _____ mm

Dimension KP = _____ mm

Standard length

Special length: _____ cm

(N.B.: the complete standard length has to be charged and paid for in case of a special length!)

Quantity: _____ pcs

Material no. of floor: _____