

MORE FROM WOOD.



INSTALLATION INSTRUCTION

FOR ALL EGGER FLOORING
WITH GLUELESS LOCKING SYSTEM JUST *CLIC!*



JUST clic!



PATENTED

EP1441087 · EP1462587

www.egger.com

1. INSPECTION RESPONSIBILITY

Laminate flooring and flooring with cork+ technology from EGGER is produced in precise working steps in one of the most modern production sites. Throughout product, as well as the finished products are constantly and strictly controlled. Despite our strict quality controls, damages on single panels can occur, i.e. transportation damages. Therefore it is required to double-check each flooring panel before and during the installation job.

2. SUB FLOORS

2.1 All sub floors must be prepared for installation in accordance with normal sub floor preparation procedures and accepted tolerances within the flooring industry. Please consider the following points before starting to install laminate flooring and flooring with cork+ technology manufactured by EGGER:

MOISTURE TEST:

The test will be carried out using a CM-device and should not exceed the following moisture level:

- For cement-based concrete 2 CM % - heated concrete 1.8 CM %
- For anhydrite / anhydrite flowing concrete (calcium sulphite concrete) 0.5 CM % - heated concrete 0.3 CM %

These values apply to concrete floors without additives. With the use of additives and in case of fast-setting concrete, the measurements and limits specified by the respective manufacturer shall apply. The test material must be obtained from the lower one-third of the concrete floor. During this process, the concrete floor thickness must be measured and documented.

EVENNESS TEST:

Evenness requirements are based on industrial typical standards.

Maximum tolerance of 3 mm per m (1/9" per three ft). Evenness must be measured using a levelling rule with a length of 250 cm (98").

LOAD CAPACITY:

The sub floor has to be a closed and self supporting surface.

CLEANNESS TEST:

The sub floor has to be in a clean and vacuumed condition.

CLIMATE CONDITION TEST:

The following conditions should be fulfilled before, during and after the installation:

- a room temperature of a minimum of 18°C (64°F)
- a floor surface temperature of a minimum of 15°C (59°F)
- a relative humidity between 40% and 70%

2.2 Laminate flooring and flooring with cork+ technology from EGGER installed as a floating flooring configuration can be installed on all sub floors which meet the above described requirements. Here are some examples:

- all types of concrete sub floors, including hot water radiant sub floor systems
- particle board sub floor constructions
- fibreboard sub floor constructions
- existing flooring surfaces such as PVC, linoleum, natural stone slab, ceramic tiles

UNSUITABLE SUB FLOORS ARE:

- textile surfaces i. e. carpets

LIMITED SUITABLE SUB FLOORS ARE:

- electrical radiant sub floor heating systems (controlled through the surface temperature)

Basically, an electrical radiant sub floor heating system is an approved sub floor type only if the heating element is installed within the concrete or other sub floors and not installed as a foil heating element on top of the concrete or other sub floors. Electrical radiant sub floor heating systems installed as a foil heating element may be used only if the manufacturer of the heating element can ensure that the surface temperature never exceeds 28°C (83°F).

ATTENTION! The surface temperature must not exceed 28°C (82°F). Installing a full-surface 0.2 mm (3/32“) PE film underneath the insulating layer is mandatory. In case of insulation that is installed separately and not attached to the flooring element as a system-specific or directly laminated silenzio underlay, no guarantee is offered in regards to the effective maximum areal thermal resistance of the finished structure for floating installation on concrete floors with sub-floor heating.

CONCRETE SUB FLOORS

If the flooring is to be installed over a concrete sub floor, it must be considered that possible rest moisture in the sub floor will seep to the surface of the sub floor. Based on the previous mentioned reason it is always necessary to install a 0.2 mm (0.008“) polyethylene film as a moisture barrier over concrete sub floors, except for mastic asphalt. The film needs to be overlapped by at least 200 mm (8“).

CONCRETE WITH HOT WATER RADIANT HEATING SYSTEMS

Depending on the intended use, any floor with a radiant heating system requires planning and coordination of the radiant heating system and concrete floor in order to assure long-term, optimum functionality and integrity. All existing floor surfaces need to be removed prior to the installation of our flooring elements. In addition to the standard sub floor tests, it is necessary to provide a certificate that the proper heating up and cooling down phases have been completed. The correct heating up and cooling down of the concrete construction will be required at all seasons of the year.

THE HEATING UP AND COOLING DOWN PHASE

- **Functional heating:** In the event that the sub floor is a cement-based concrete, do not start the heating-up phase before 21 days after the concrete has been installed. In the event that the sub floor is an anhydrite concrete, do not start the heating-up phase before 7 days after the concrete has been installed.
ATTENTION: Observe the manufacturer's specifications!
 Start the heating-up phase with a water temperature of 25°C (77°F), which must be held for three days.
 The water temperature is increased until the maximum water temperature is reached (max. 55°C / 131°F).
 Hold the maximum water temperature over a period of 4 days without night-time shutoff.
- **Floor curing heating:** In the event that the sub floor is a cement-based concrete, do not start the heating-up phase before 28 days after the concrete has been installed. In the event that the sub floor is an anhydrite concrete, do not start the heating-up phase before 14 days after the concrete has been installed.
ATTENTION: Observe the manufacturer's specifications!
 Day 1 – Start the heating-up phase with a water temperature of 25°C (77°F) and increase it by 10°C (13.5°F) per day.
 Day 4 – the maximum water temperature is reached (max. 55°C / 131°F).
 Day 5 through 18 – hold the maximum water temperature.
 Day 19 – floor curing test – CM measurement (continued heating is required if excessive residual moisture is detected).
 Day 19 through 21 – lower the water temperature by 10°C (13.5°F) daily until a water temperature of 25°C (77°F) is reached.
 Installation of the flooring elements once a surface temperature of 18°C (64°F) is reached for the concrete floor.
 During and 3 days after installation, hold the temperature specified above. After the end of 3 days, the water temperature can be increased slowly if required.

ATTENTION! The surface temperature must not exceed 28°C (82°F). Installing a full-surface 0.2 mm (3/32“) PE film underneath the insulating layer is mandatory. When using insulating layers that are installed separately and used either as a system-specific or a pre-applied silenzio or cork underlay on the flooring element, floating installation on concrete floors with in-floor heating systems voids all warranties in regards to compliance with the effective, maximum allowable thermal transfer resistance of the overall structure.

NATURAL STONE SLAB AND CERAMIC TILES

Since residual moisture seepage must be expected, installing a moisture barrier in the form of a full-coverage PE film is required before the insulating layer which must be especially specified for flooring elements with the glueless Clic system.

PARTICLE AND FIBREBOARDS

In order to improve impact sound, an insulating layer especially specified for flooring elements with the glueless Clic system is recommended. Do not install a PE film moisture barrier.

HARDWOOD FLOORING BOARDS

Loose floorboards must be properly screwed down if required. In order to improve impact sound, an insulating layer especially specified for flooring elements with the glueless Clic system is recommended. Do not install a PE film moisture barrier. Sufficient ventilation in the sub floor structure must not be impaired. The laminate flooring panels must be installed crosswise to the existing floorboards.

SUB FLOORS / INSTALLATION PREPARATIONS

ELASTIC FLOORING SURFACES (PVC, LINOLEUM, VINYL)

With these types of flooring, installing a PE film moisture barrier is not required since the elastic flooring assumes the function of a moisture barrier. In order to improve impact sound, an insulating layer especially specified for flooring elements with the glueless Clic system is recommended.

WET ROOMS

ATTENTION! Laminate flooring and flooring with cork+ technology from EGGER is not suitable for installations in wet rooms such as bathrooms, saunas or in similar rooms.

ATTENTION! UNDERLAY MATERIALS

EGGER flooring with integrated underlay (silenzio) or integrated cork underlay does not require a separate underlay. However, it is necessary to always place a damp proof 0.2 mm (3/32") PE film on stone sub-floors. We recommend the use of underlays for noise reduction, which are specified for flooring elements with the glueless Clic system.

3. INSTALLATION PREPARATIONS

ACCLIMATISATION OF THE PANELS

The flooring panels have to be stored in the room where they will be installed or in a room with the same climate condition before starting the installation. The acclimatisation will be carried out as following:

- in sealed, unopened boxes
- for a time period of at least 48 hours
- flat laying with at least 50 cm (20") distance to the walls
- at a room temperature of at least 18°C (64°F)
- at a floor surface temperature of a minimum of 15°C (59°F)
- at a relative humidity between 40% and 70%

INSTALLATION DIRECTION

Flooring elements such as these look best when installed parallel to the light coming in through the windows. In the event that the sub floor construction consists of hardwood flooring boards or wood strip flooring, the laminate flooring must be installed at 90 degrees to the sub floor boards. Attention: Our flooring with cork+ technology are natural products so that scattered small recesses in the surface are characteristic for the natural material that is used (cork), accentuating the authentic character of these products.

PLANNING THE FIRST ROW

After determining the best layout of the flooring and the starting wall, measure the width of the room and divide it by the width of the laminate flooring panels to determine the number of rows and the width of the last row. If the last row is determined to be less than 5 cm (2") wide, it should be adjusted by cutting the first row lengthwise.

PLANNING OF EXPANSION GAPS

As laminate flooring and flooring with cork+ technology from EGGER is made of organic materials, it is subject to certain movement behaviors (shrinkage/expansion) due to changes in climate conditions. The correct expansion gaps at all fixed points will allow the laminate flooring to move in its natural kinesic behaviour.

PLANNING OF TRANSITION MOULDINGS

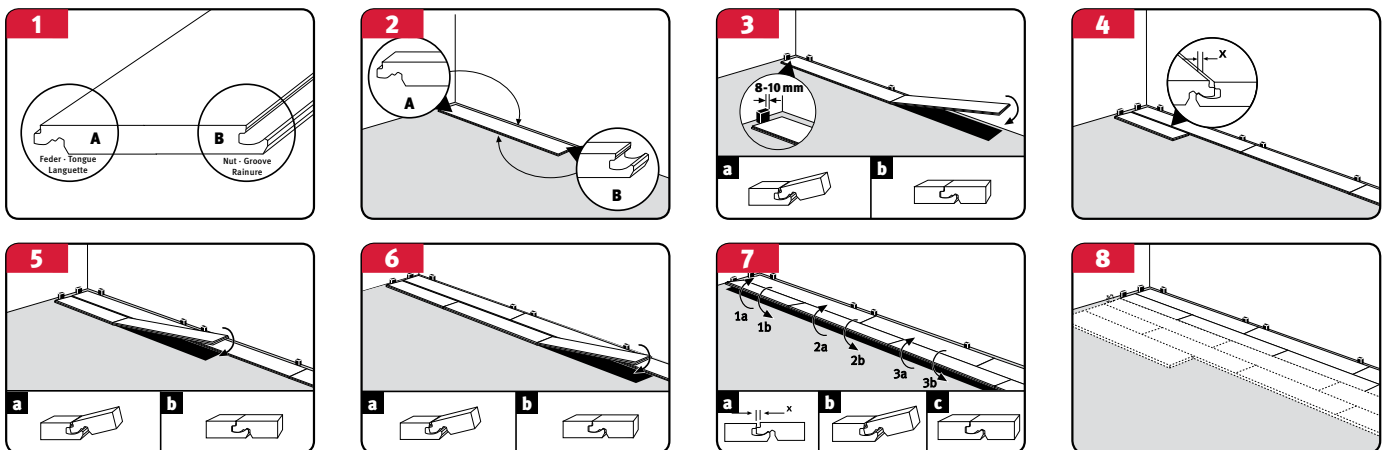
Transition mouldings must be installed in the following areas because of the natural kinesic behaviour of these flooring elements:

- at all door throughways
- at all passage ways
- angular rooms
- single room length and/or with more than 10 m (33 ft)

4. INSTALLATION

- Check all panels for possible damages/defects. Ensure you understand the difference between the tongue and the groove on the panel (Fig. 1).
 - Start to install the first row in the left-hand corner of the room. Both tongue sides of the panels have to face to the wall (Fig. 2).
 - You have to place spacers between the flooring panels and the walls to ensure to have the right expansion gap. (Fig. 3).
 - You have to connect the second panel to the first by placing the interlocking end of the new panel at an angle to the previously installed panel and then lower it into a horizontal position to lock (Fig. 3a to 3b). Mark the last panel in the first row to the required length (place tongue to tongue) and cut.
 - Start the second row with the off cut from the last panel of the first row. Do always make sure the off cut has at least a length of 200 mm (8"), if not then cut another piece which is greater than 200 mm (8") long. Start all subsequent rows with the off cut piece from the previous row.
- ATTENTION!** Ensure all the short ends are staggered at least 200 mm (8"). If you install panels with a bevelled edge and/or you want to achieve a special pattern (e.g. checker-board with tiles), please make sure that you stagger the short ends according to the bevel and/or your pattern idea.
- Place the tongue on the lower protruding lip of the first panel of the first row (Fig. 4). Connect all other panels of this row with their short sides – as described above – until you have arranged the complete row. Afterwards all short sides of the panels in this row are adjusted and connected with each other (Fig. 5 and 6).
 - Raise the first panel or panel section slightly and connect its long edge with the first row (Fig. 7 and 8). Continue to do so until you have connected the whole row with the previously laid row. Pay attention that the panels are not displaced along the short sides.
 - You can continue to lay board after board, row after row now.

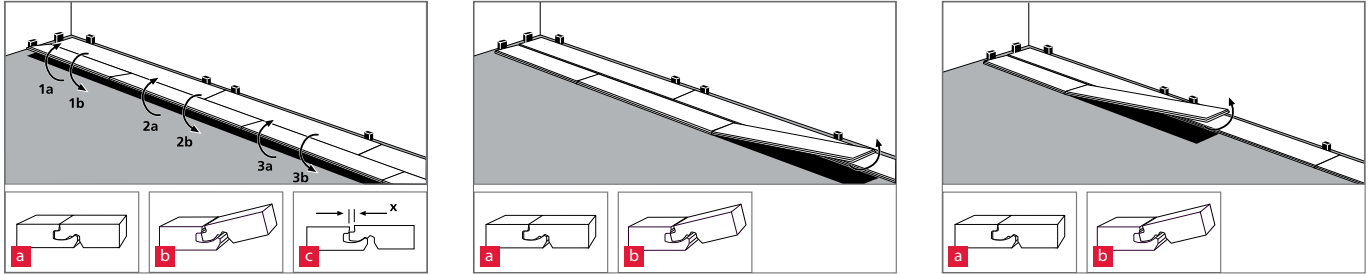
In order to mark the last row of boards for scribing, take the new board and place it exactly on top of the row before last. Using an off cut of a board (element width + edge joint width) it is possible to transfer the wall profile to the board within a pre-chosen distance.



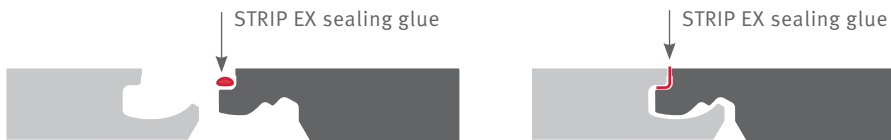
INSTALLATION

REMOVAL / DISMANTLING OF ELEMENTS

In order to replace installed panels without destroying them, you first have to unlock the entire row at the long side by tilting it and then also unlock the short side by tilting the panels. Proceed with due care in order to avoid damaging the tongue and groove.



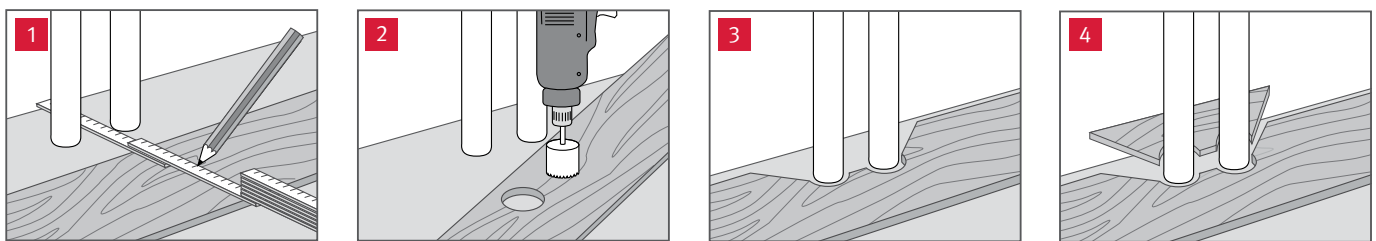
COMMERCIAL AREAS IN CLASSES 31, 32 AND 33



Additional exposure to moisture in commercial areas must be anticipated. Therefore it is required to use the specially designed STRIP EX sealing glue for commercial area installations. Apply the STRIP EX sealing glue to the top of the tongue on the short and long edge. The glue should ooze out along the complete long and short edge after the panels have been connected together. It is easy to remove excess sealing glue from the surface either immediately or after a short drying period.

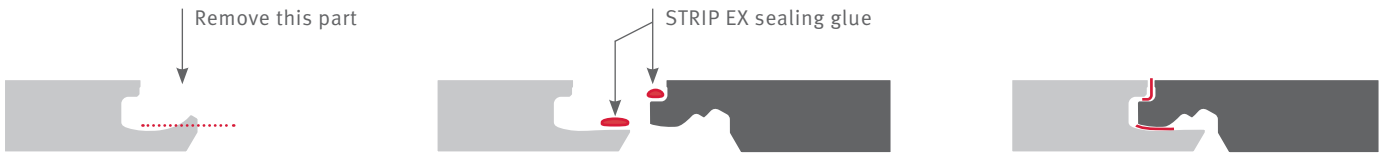
ATTENTION! Make sure that there is no gap in the flooring joints under the sealing glue.

FITTING AROUND PIPES



- Measure the position of the pipes and mark it on the panel (consider also the expansion gap).
- Take into account measurements from the spacers. Drill a hole of 16 mm (5/8") bigger than the pipe diameter - expansion provision.
- Do saw at a 45 degree angle to the holes.
- Apply glue to the sawn out piece and fit in with the pull bar.

DOOR JAMB INSTALLATION



- For wooden door frames, we recommend undercutting them - with the approval of the end-consumer - according to the thickness of the flooring + the underlay.
- Install the flooring now underneath the door frame – leaving the necessary expansion gaps. In the event that your installation job will end underneath a door frame, we recommend that the locking part is removed of the protruding groove of the pre-installed panel with a utility knife or a pocket knife. The newly layed panel can now be pushed horizontally over the groove of the previously layed panel. Use STRIP EX sealing-glue from EGGER on top of the tongue to secure the connection.
- If you have a door jamb which cannot be shortened, e.g. metal door jamb, we recommend that you cover the expansion gaps with mouldings or fill them with elastic acrylic sealants.

TRANSITION AND WALL MOULDINGS

Install the transition moulding as well as wall moulding after the flooring has been installed in the correct way and as described above. In general, the installation instruction for mouldings is within the accessory packaging.

ATTENTION! With some profile types, the base to accept the cover profile must be installed prior to completing the installation.

5. CLEANING AND CARE

- As with all other floor coverings, you should protect your new laminate flooring or flooring with cork⁺ technology against contamination with dirt particles by taking suitable steps to avoid tracking in dirt.
- Attach felt floor protectors to the legs of chairs and tables and all other easily moveable furniture.
- When moving heavy furniture, lift it, do not drag it across the floor.
- Use only roles of type W (soft) for castor chairs.
- Remove immediately any water spillage or other liquid from the floor.
- Do not clean the floor with vapour cleaners.
- Do not wet wash the floor – a well squeezed damp cloth is sufficient.
- Never use abrasives on laminate flooring.
- Do not use residue building cleaning products (we recommend our laminate flooring cleaner CLEAN IT from EGGER).
- Do not wax or polish your floor.
- Subsequently sealing our laminate flooring or flooring with cork⁺ technology is neither necessary nor permissible.

Your local flooring dealer has a detailed cleaning instruction as well as a warranty card available.

In the unlikely event of the hardwearing flooring panel suffering damage, there are several options for a repair. If the damage is slight, the problem can be easily solved with the system related repair paste DECOR MIX & FILL light and dark. If the damage is more serious, a professional installer will be able to replace an entire panel. Please contact your local distributor for more information. For special installation techniques, i.e. installation on stairs or for at any other question, please do not hesitate to contact your local distributor.

*The EGGER guarantee terms for laminate flooring and flooring with cork⁺ technology apply. Available from your distributor or to download on the internet.

EGGER Retail Products
GmbH & Co. KG

Im Kissen 19
59929 Brilon
Germany

T +49 2961 770-0

F +49 2961 770-62919

info-bri@egger.com

www.egger.com

Service, advice and more: